

# IS 2180 ECO

black  
 EAN 4007841 034702  
 Article number 034702



infrared sensor  
180°

2000 W

max. 2000 W



max. Ø 12 m



IP54



Ideal 2 m



2 - 2000 lux



10 sec - 15 min



energy saving



CE

5 years

manufacturer's  
warranty steinel-  
professional.de/  
garantie

## Function description

Attractive, clever, efficient. Infrared motion detector IS 2180 ECO for outdoors, ideal for building fronts and properties, medium-sized business and outdoor spaces, ideal installation height 2 m, 180° angle of coverage, reach. 12 m max. or 5 m max. (tangential), selectable time and twilight threshold, manual override, for mounting on outside and inside corners.

## Technical specifications

Dimensions (L x W x H)	55 x 78 x 120 mm	LED lamps > 8 W	350 W
Manufacturer's Warranty	5 years	Capacitive load in µF	132 µF
Settings via	Potentiometers	Technology, sensors	passive infrared, Light sensor
With remote control	No	Mounting height	1,80 – 4,00 m
Version	black	Mounting height max.	4,00 m
PU1, EAN	4007841034702	Optimum mounting height	2 m
Type	Motion detectors	Detection angle	180 °
Application, place	Outdoors	Angle of aperture	90 °
Application, room	outdoors, front door, all round the building, terrace / balcony, courtyard & driveway	Sneak-by guard	Yes
Colour	black	Capability of masking out individual segments	Yes
Colour, RAL	9005	Electronic scalability	No
Includes corner wall mount	No	Mechanical scalability	No
Installation site	wall, corner	Reach, radial	r = 1.5 m (4 m <sup>2</sup> ) / r = 3 m (14 m <sup>2</sup> )
Installation	Surface wiring, Wall, corner	Reach, tangential	r = 5 m (39 m <sup>2</sup> ) / r = 12 m (226 m <sup>2</sup> )
IP-rating	IP54	Switching zones	504 switching zones
		Twilight setting	2 – 2000 lx

# IS 2180 ECO

black  
EAN 4007841 034702  
Article number 034702



## Technical specifications

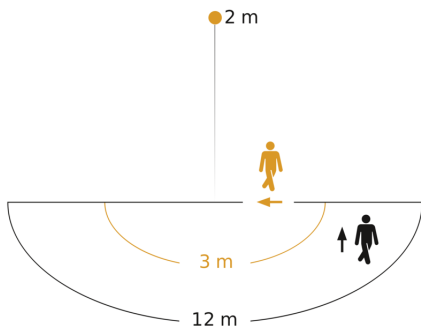
Ambient temperature	from -20 up to 50 °C
Material	Plastic
Mains power supply	230 – 240 V / 50 Hz
Switching output 1, resistive	2000 W
Fluorescent lamps, electronic ballast	350 W
Fluorescent lamps, uncorrected	500 VA
Fluorescent lamps, series-corrected	900 VA
Fluorescent lamps, parallel-corrected	500 VA
Switching output 1, low-voltage halogen lamps	1000 VA
LED lamps < 2 W	100 W
LED lamps > 2 W < 8 W	175 W

Time setting	10 s – 15 Min.
Basic light level function	No
Main light adjustable	No
Twilight setting TEACH	No
Constant-lighting control	No
Interconnection	Yes
Type of interconnection	Master/master
Interconnection via	Cable
Product category	Motion detector

# IS 2180 ECO

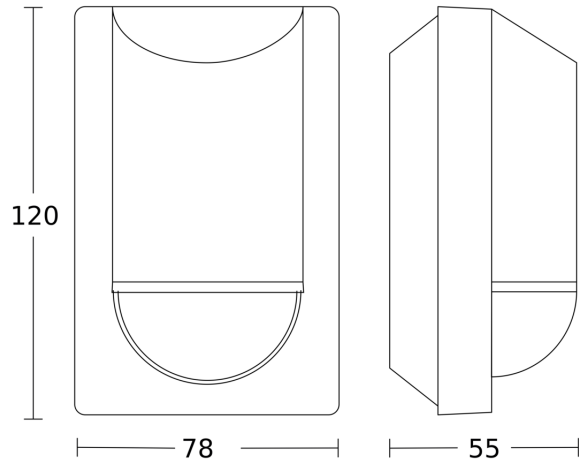
black  
 EAN 4007841 034702  
 Article number 034702

## Detection Zone

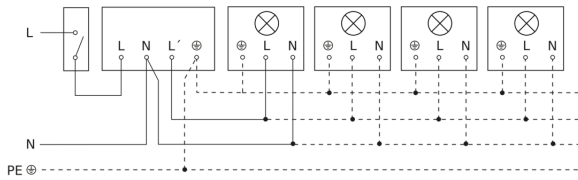


Possible mounting height: 1,80 m - 4,00 m  
 Orange: radial  
 Black: tangential

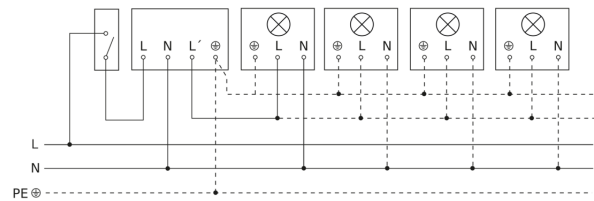
## Dimension Drawing



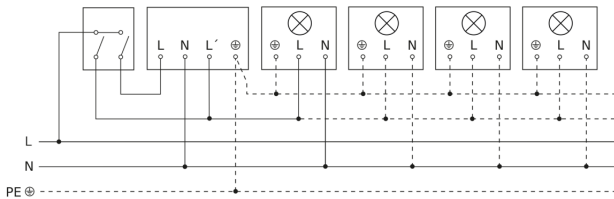
## Light without neutral conductor



## Light with neutral conductor



## Connection using two-circuit switch for manual and automatic operation



## Circuit diagram Connection via a changeover switch for continuous and automatic operation

